

South East / Southside

Ride this bus if you are going to...

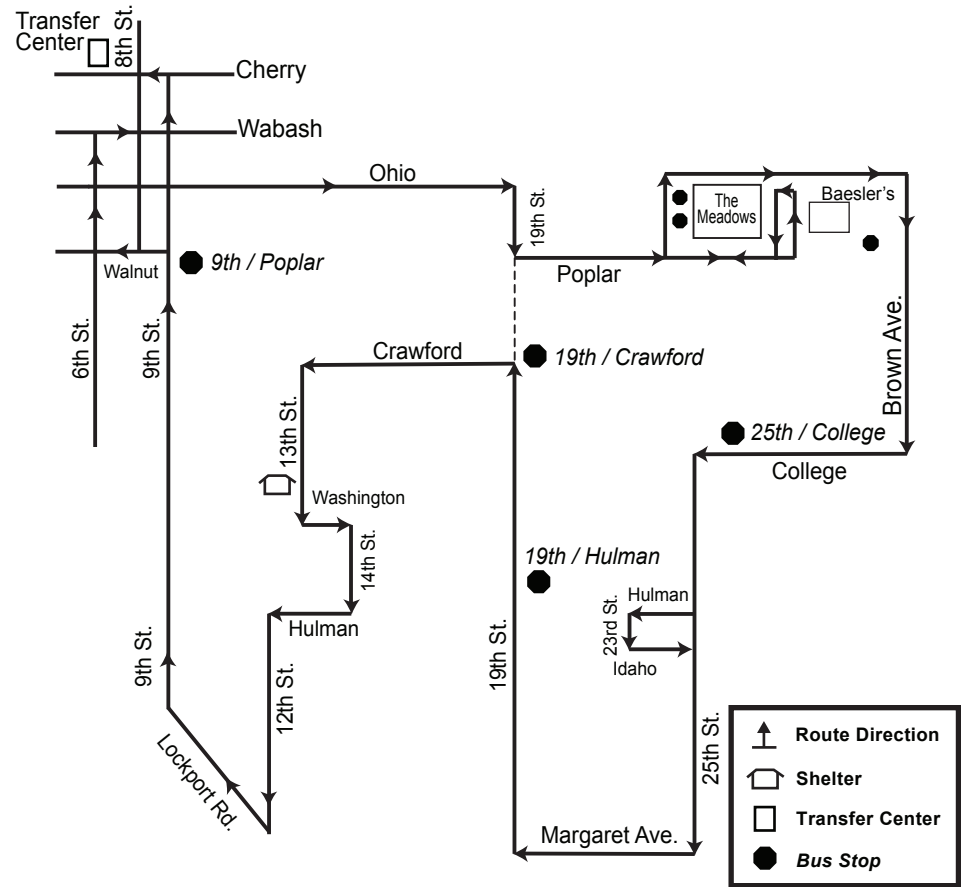
**The Meadows
19th & Poplar
25th & Hulman**

TURN BY TURN ROUTE

Leave Transfer Center at 15 minutes past the hour.
 Travel south on 8th St. to Ohio.
 Turn left onto Ohio to 19th St.
 Turn right onto 19th St. to Poplar.
 Turn left onto Poplar to Baesler's.
 Exit Baesler's, turn right on Poplar to Meadows.
 Turn into Meadows and continue north to Ohio.
 Turn right onto Ohio and then right on Brown to College.
 Turn right on Brown to College.
 Turn right onto College to 25th St.
 Turn left on 25th to Hulman.
 Turn right on Hulman to 23rd St. left on 23rd to Idaho then left on Idaho to 25th St.
 Turn right onto 25th St. to Margaret.
 Turn right onto Margaret to 19th St.
 Turn right on 19th to Crawford.
 Turn left onto Crawford to 13th St.
 Turn left onto 13th St. to Washington.
 Turn left onto Washington to 14th St.
 Turn right onto 14th St. to Hulman.
 Turn right onto Hulman to 12th St.
 Turn left onto 12th St. to Lockport Rd.
 Turn right onto Lockport Rd. to 9th St.
 Turn right onto 9th St. to Walnut
 Turn left on Walnut to 6th St.
 Turn right on 6th St. to Wabash.
 Turn right on Wabash to 9th St.
 Turn left on 9th St. to Cherry.
 Turn left onto Cherry St. to return to Transfer Center.

On Request

*Deming Park (Summer Months)
Brownstone Apts.*



* ALL MAPS ARE REPRESENTATIONS OF ROUTES AND ARE NOT OF ACTUAL SCALE.

Transfer Center	The Meadows	Brown & College	25th & Margaret	Greenwood Manor	19th & Crawford	12th & Lockport	9th & College	Transfer Center
6:15	6:25	6:30	6:35	6:40	6:45	6:50	6:55	7:00
7:15	7:25	7:30	7:35	7:40	7:45	7:50	7:55	8:00
8:15	8:25	8:30	8:35	8:40	8:45	8:50	8:55	9:00
9:15	9:25	9:30	9:35	9:40	9:45	9:50	9:55	10:00
10:15	10:25	10:30	10:35	10:40	10:45	10:50	10:50	11:00
11:15	11:25	11:30	11:35	11:40	11:45	11:50	11:55	12:00
12:15	12:25	12:30	12:35	12:40	12:45	12:50	12:55	1:00
1:15	1:25	1:30	1:35	1:40	1:45	1:50	1:55	2:00
2:15	2:25	2:30	2:35	2:40	2:45	2:50	2:55	3:00
3:15	3:25	3:30	3:35	3:40	3:45	3:50	3:55	4:00
4:15	4:25	4:30	4:35	4:40	4:45	4:50	4:55	5:00
5:15	5:25	5:30	5:35	5:40	5:45	5:50	5:55	6:00